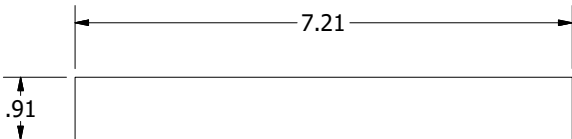
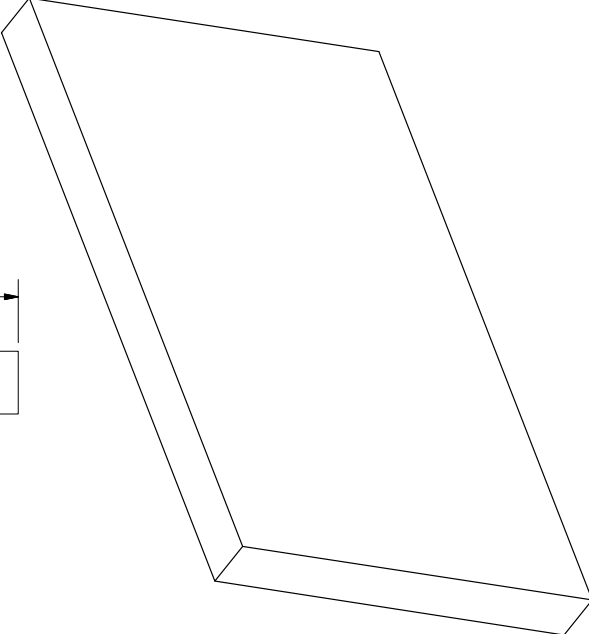


**TRIM**  
**5/4 X 8" SMART TRIM**

<p><b>PART DESCRIPTION:</b> 5/4X8X16' Smart Trim</p> <p><b>FUNCTION:</b> Textured trim board used to accent any substrate</p>		
<p><b>KEY DIMENSIONS:</b></p> <p>Exposure: N/A Overlap: N/A Pieces per square: N/A Length: 192" Width: 7.21" Height: N/A Min. Thickness: 0.91"</p>	<p><b>CONSTRUCTION:</b></p> <p>Substrate: Strand LP<sup>®</sup> SmartSide<sup>®</sup> Finish: Diamond Kote<sup>®</sup> Other: N/A</p>	
	<p><b>WEIGHT:</b></p> <p>Per Piece: 32 lbs. Per Bundle: 64 lbs. Per Pallet: 1920 lbs.</p>	<p><b>PACKAGING:</b></p> <p>Per Bundle: 2 Per Pallet: 60</p>
<p><b>FEATURES:</b> Durability of engineered wood; LP<sup>®</sup> SmartGuard<sup>®</sup> Process; Uniform density and consistency</p> <p><b>SUBSTRATE WARRANTY:</b> LP<sup>®</sup> SmartSide<sup>®</sup> 5/50-Year Limited Warranty</p> <p><b>FINISH WARRANTY:</b> Diamond Kote<sup>®</sup> 30-Year No Fade Limited Warranty</p> <p><b>NOTES:</b></p>		
<p>ALL SIZES AND PRODUCT DESCRIPTIONS ARE LISTED AS NOMINAL DIMENSIONS. REFER TO PRODUCT DRAWINGS FOR ACTUAL DIMENSIONS.</p>		
<div style="display: flex; justify-content: space-around; align-items: center;">   </div>		