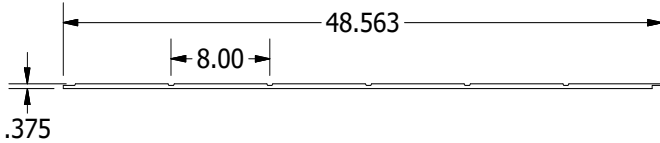
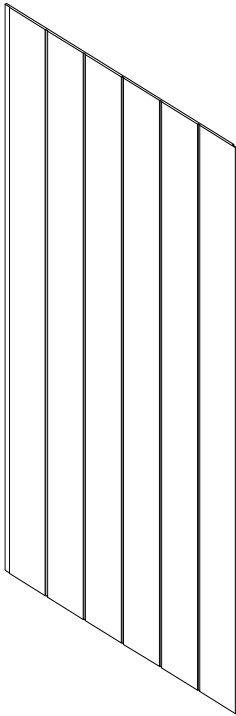
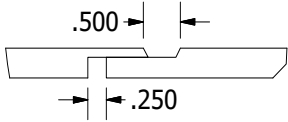
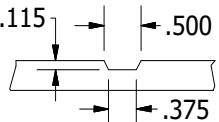


SIDING

4X9 8" OC GROOVED PANEL - 7/16"

<p>PART DESCRIPTION: 4X9 7/16" 8" OC Smart Pan Cedar</p> <p>FUNCTION: Exterior Siding; Or Interior Accent Panel</p>		
<p>KEY DIMENSIONS:</p> <p>Exposure: 48" Overlap: 0.563" Pieces per square: 2.77 Length: 108" Width: 48.563" Height: N/A Min. Thickness: 0.375"</p>	<p>CONSTRUCTION:</p> <p>Substrate: Strand LP[®] SmartSide[®] Finish: Diamond Kote[®] Other: N/A</p>	
	<p>WEIGHT:</p> <p>Per Piece: 60.42 lbs. Per Bundle: N/A Per Pallet: 2416.8 lbs.</p>	<p>PACKAGING:</p> <p>Per Bundle: 1 Each Per Pallet: 40</p>
<p>FEATURES: Shiplap edge makes the product easier to level and apply; LP[®] SmartGuard[®] Process</p> <p>SUBSTRATE WARRANTY: LP[®] SmartSide[®] 5/50-Year Limited Warranty</p> <p>FINISH WARRANTY: Diamond Kote[®] 30-Year No Fade Limited Warranty</p> <p>NOTES: APA[®] Rated for direct to stud use 16" o.c.</p>		
<p>ALL SIZES AND PRODUCT DESCRIPTIONS ARE LISTED AS NOMINAL DIMENSIONS. REFER TO PRODUCT DRAWINGS FOR ACTUAL DIMENSIONS.</p>		
<div style="display: flex; justify-content: space-around; align-items: flex-end;"> <div style="text-align: center;">  </div> <div style="text-align: center;">  </div> </div> <div style="display: flex; justify-content: space-around; margin-top: 20px;"> <div style="text-align: center;">  <p>Lap Detail</p> </div> <div style="text-align: center;">  <p>Groove Detail</p> </div> </div>		